

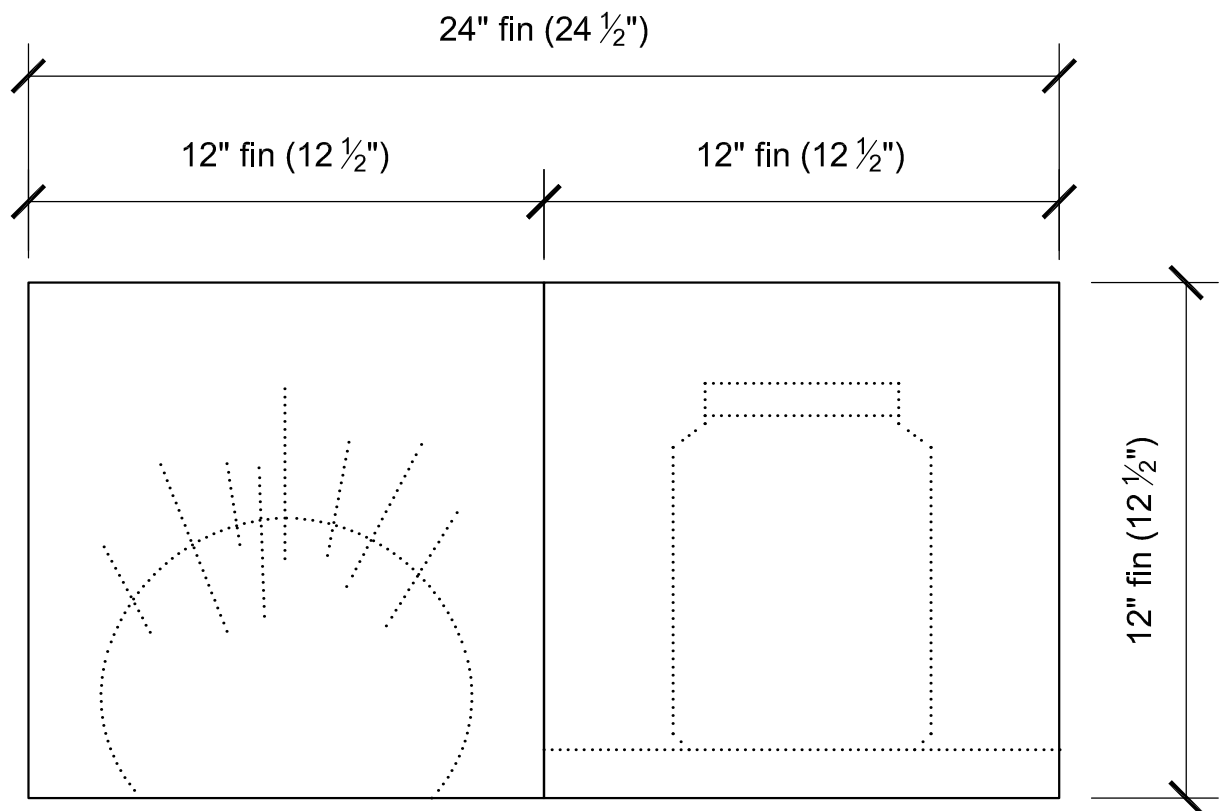
BOM MYSTERY QUILT 2019-2020

Month #10 - August

LARGE

Part 1 - Pincushion block - 12" W x 12" H - finished (12 ½" x 12 ½" unfinished)

Part 2 - Button Jar block - 12" W x 12" H - finished (12 ½" x 12 ½" unfinished)



BOM MYSTERY QUILT 2019-2020

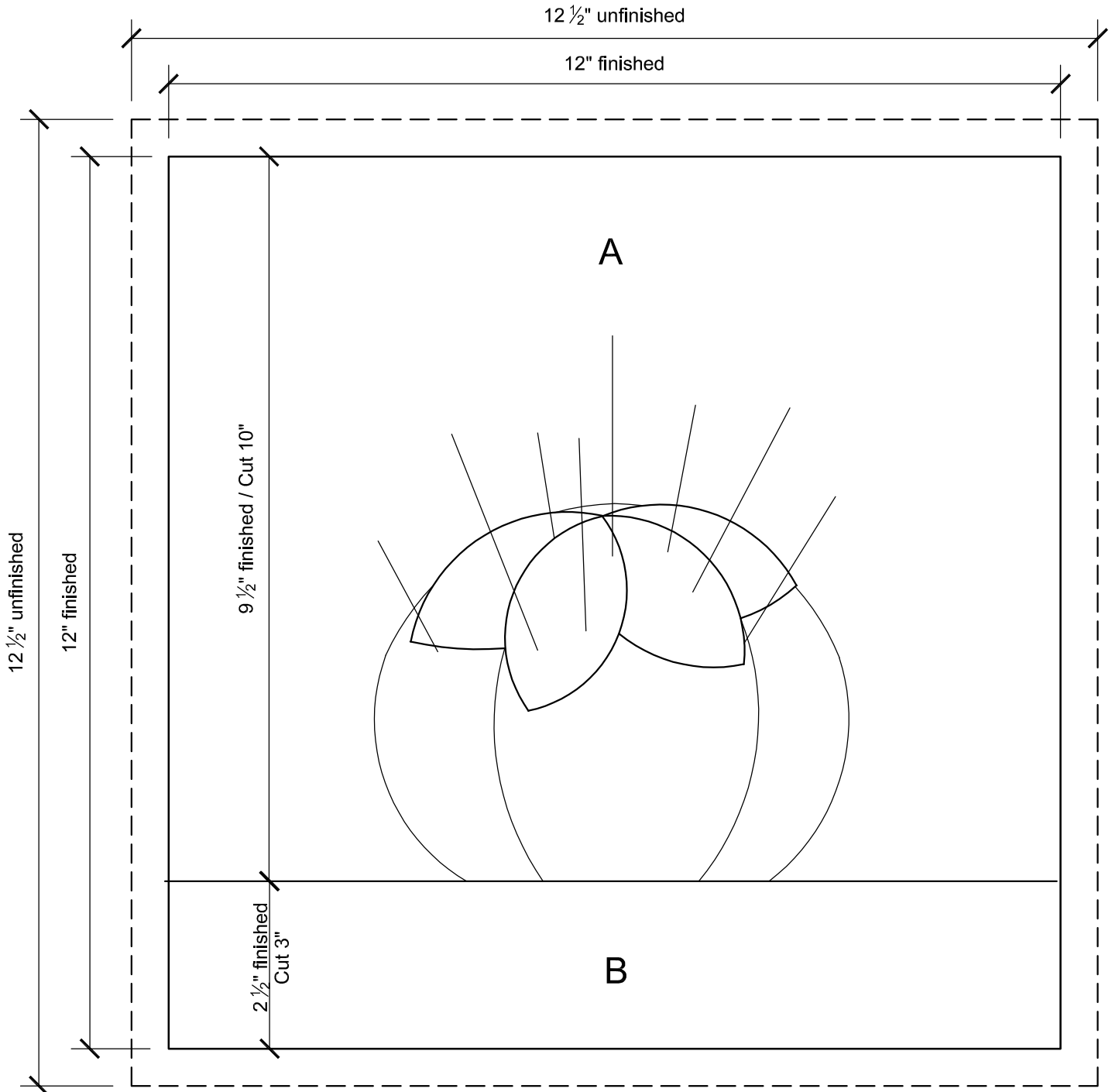
Month #10 - August

LARGE

Part 1- Pincushion Block (Appliqué)

- Cut: A - (1) 12 ½" x 10" square upper background piece
B - (1) 12 ½" x 3" lower background piece, sew together as shown.
- Use pincushion templates 'C' and 'D' on next page to cut out appliqué for pincushion, or create/draw your own pincushion shape, cut out and appliqué as desired.
- Appliqué pincushion pieces to background using appliqué method of choice.

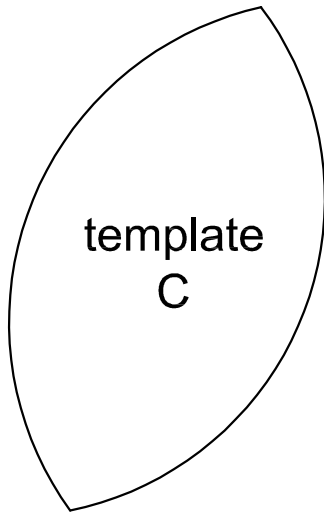
- For PINS: machine sew or hand embroider pins as desired.



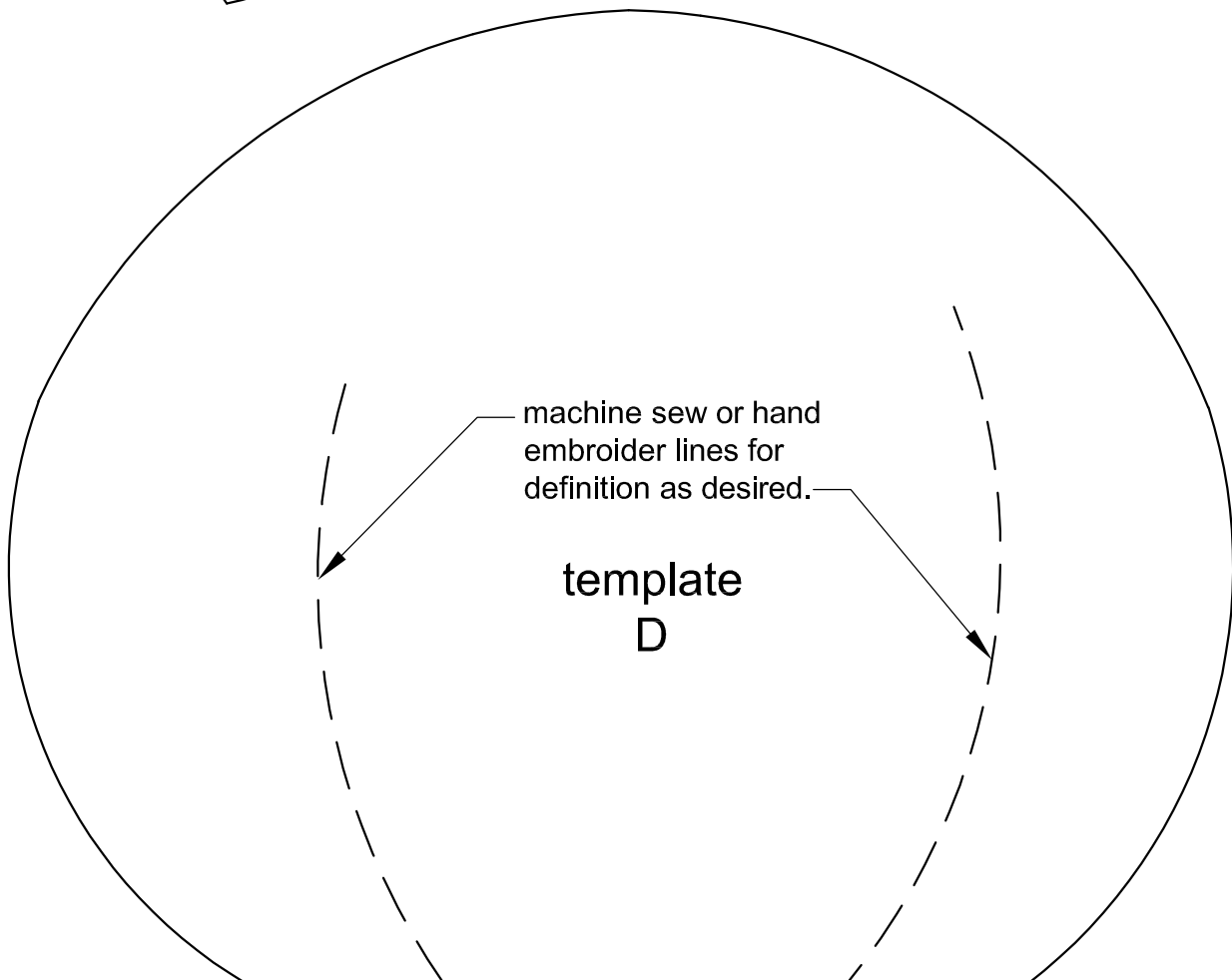
BOM MYSTERY QUILT 2019-2020

Month #10 - August

LARGE



- Use pincushion templates 'C' (cut 4) and 'D' (cut 1) on this page to cut out appliques for pincushion
- OR
- create/draw your own pincushion shape, cut out and applique as desired



BOM MYSTERY QUILT 2019-2020

Month #10 - August

LARGE

Part 2- Button Jar Block (Pieced)

Cut: A - (1) 7" x 9"

B - (2) 1 1/2" x 1 1/2", draw diagonal line on wrong side of (B) squares and lay on each TOP corner of piece (A) and sew on diagonal line.

C - (2) 1 1/4" x 1 1/4", draw diagonal line on wrong side of (C) squares and lay on each BOTTOM corner of piece (A) and sew on diagonal line.

D - (1) 5" x 1 1/2"

D1 - (2) 1 1/2" x 1 1/2"

E - (2) 3 1/4" x 10"

F - (1) 12 1/2" x 1 1/2"

G - (1) 12 1/2" x 2"

Sew pieces together as shown. (Pieces will finish 1/2" less than cut dimension.)

