

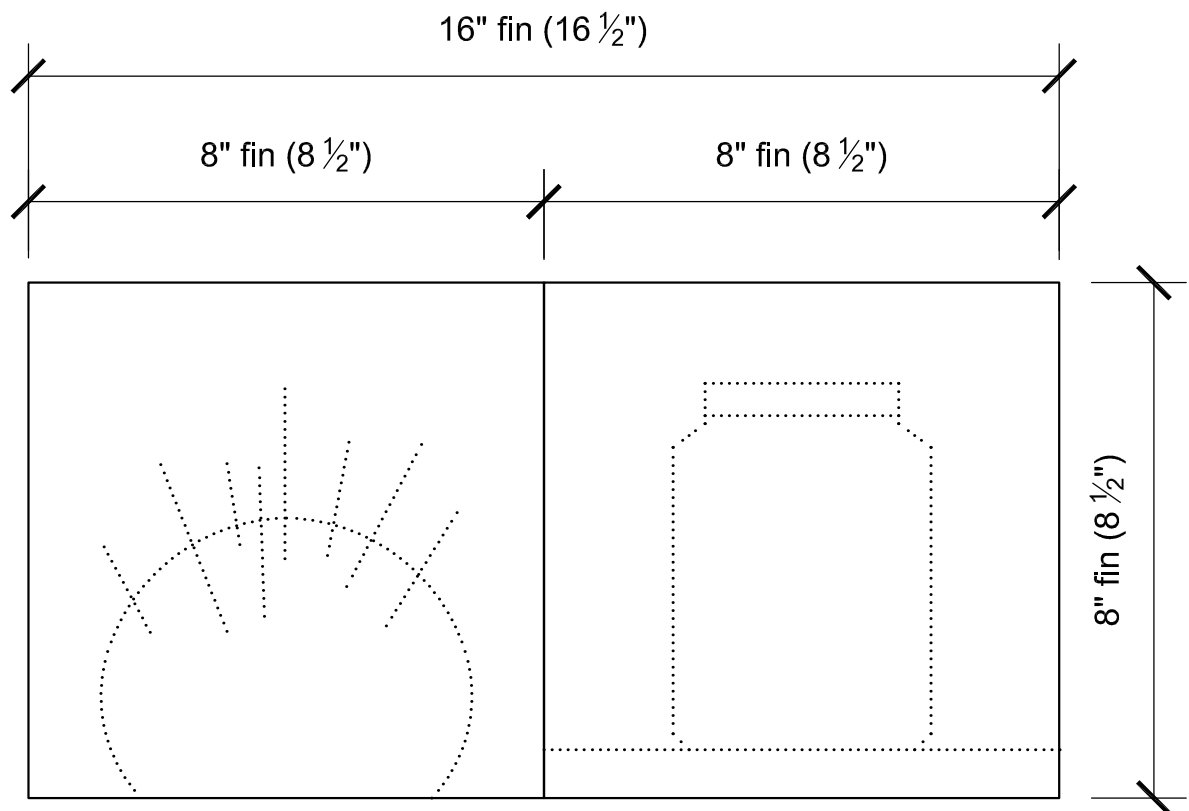
BOM MYSTERY QUILT 2019-2020

Month #10 - August

SMALL

Part 1 - Pincushion block - 8" W x 8" H - finished (8 ½" x 8 ½" unfinished)

Part 2 - Button Jar block - 8" W x 8" H - finished (8 ½" x 8 ½" unfinished)



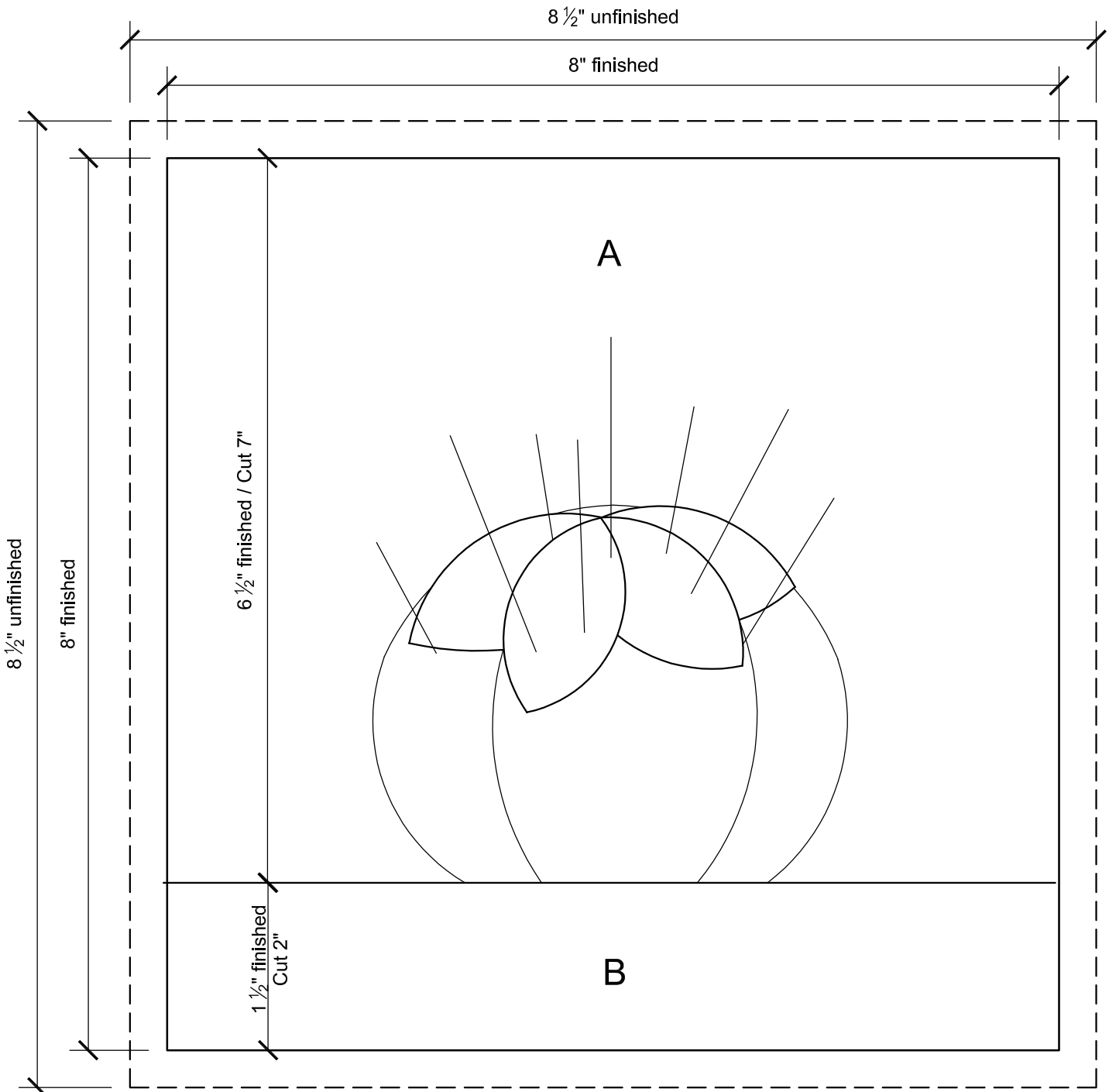
BOM MYSTERY QUILT 2019-2020

Month #10 - August

SMALL

Part 1- Pincushion Block (Appliqué)

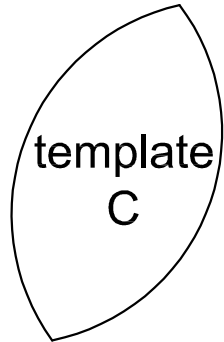
- Cut: A - (1) $8\frac{1}{2}$ " x 7" square upper background piece
B - (1) $8\frac{1}{2}$ " x 2" lower background piece, sew together as shown.
- Use pincushion templates 'C' and 'D' on next page to cut out appliqués for pincushion, or create/draw your own pincushion shape, cut out and applique as desired.
- Appliqué pincushion pieces to background using appliqué method of choice.
- For PINS: machine sew or hand embroider pins as desired.



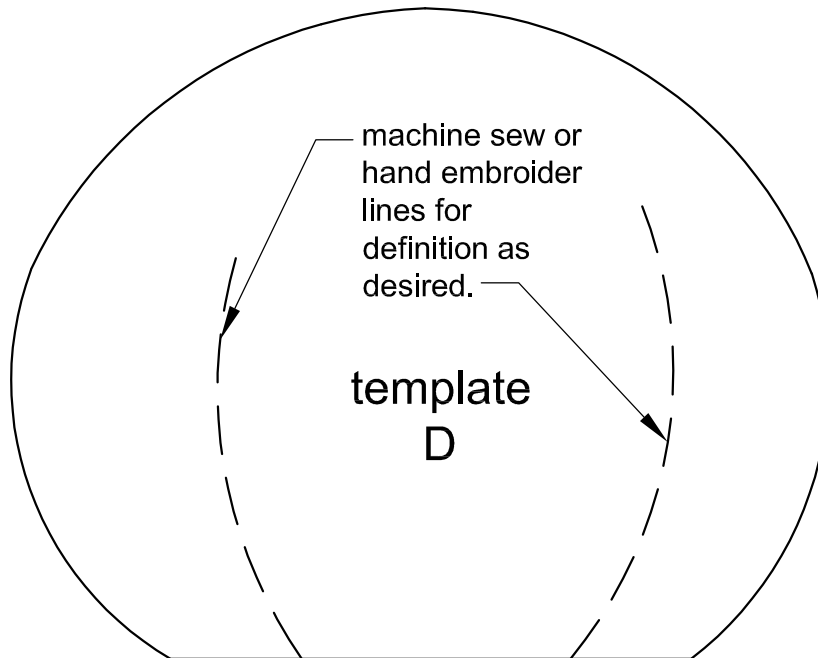
BOM MYSTERY QUILT 2019-2020

Month #10 - August

SMALL



- Use pincushion templates 'C' (cut 4) and 'D' (cut 1) on this page to cut out appliqués for pincushion
- OR
- create/draw your own pincushion shape, cut out and applique as desired



BOM MYSTERY QUILT 2019-2020

Month #10 - August

SMALL

Part 2- Button Jar Block (Pieced)

Cut: A - (1) $4\frac{1}{2}$ " x 6"

B - (2) $1\frac{1}{4}$ " x $1\frac{1}{4}$ ", draw diagonal line on wrong side of (B) squares and lay on each TOP corner of piece (A) and sew on diagonal line.

C - (2) 1" x 1", draw diagonal line on wrong side of (B) squares and lay on each BOTTOM corner of piece (A) and sew on diagonal line.

D - (1) 3" x 1"

D1 - (2) $1\frac{1}{4}$ " x 1"

E - (2) $2\frac{1}{2}$ " x $6\frac{1}{2}$ "

F - (1) $8\frac{1}{2}$ " x $1\frac{1}{4}$ "

G - (1) $8\frac{1}{2}$ " x $1\frac{3}{4}$ "

Sew pieces together as shown. (Pieces will finish $\frac{1}{2}$ " less than cut dimension.)

