

BOM MYSTERY QUILT 2019-2020

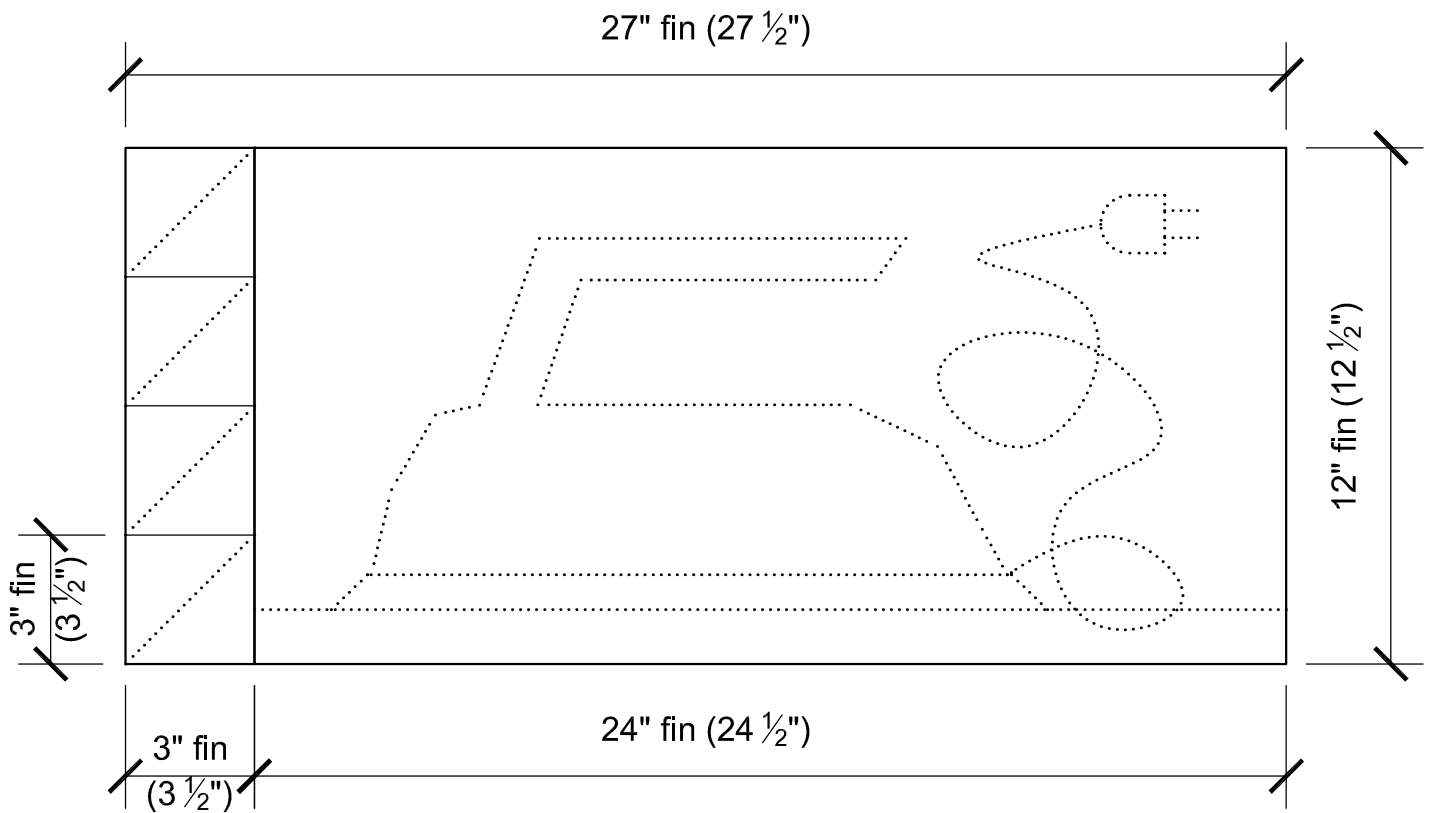
Month #5 - March

LARGE

Part 1 - Iron block - 24" W x 12" H - finished (24 ½" x 12 ½" unfinished)

Part 2 - Half square triangles - 3" W x 12" H - finished (3 ½" x 12 ½" unfinished)

*Each half square triangle is 3" x 3" finished (3 ½" x 3 ½" unfinished)



BOM MYSTERY QUILT 2019-2020

Month #5 - March

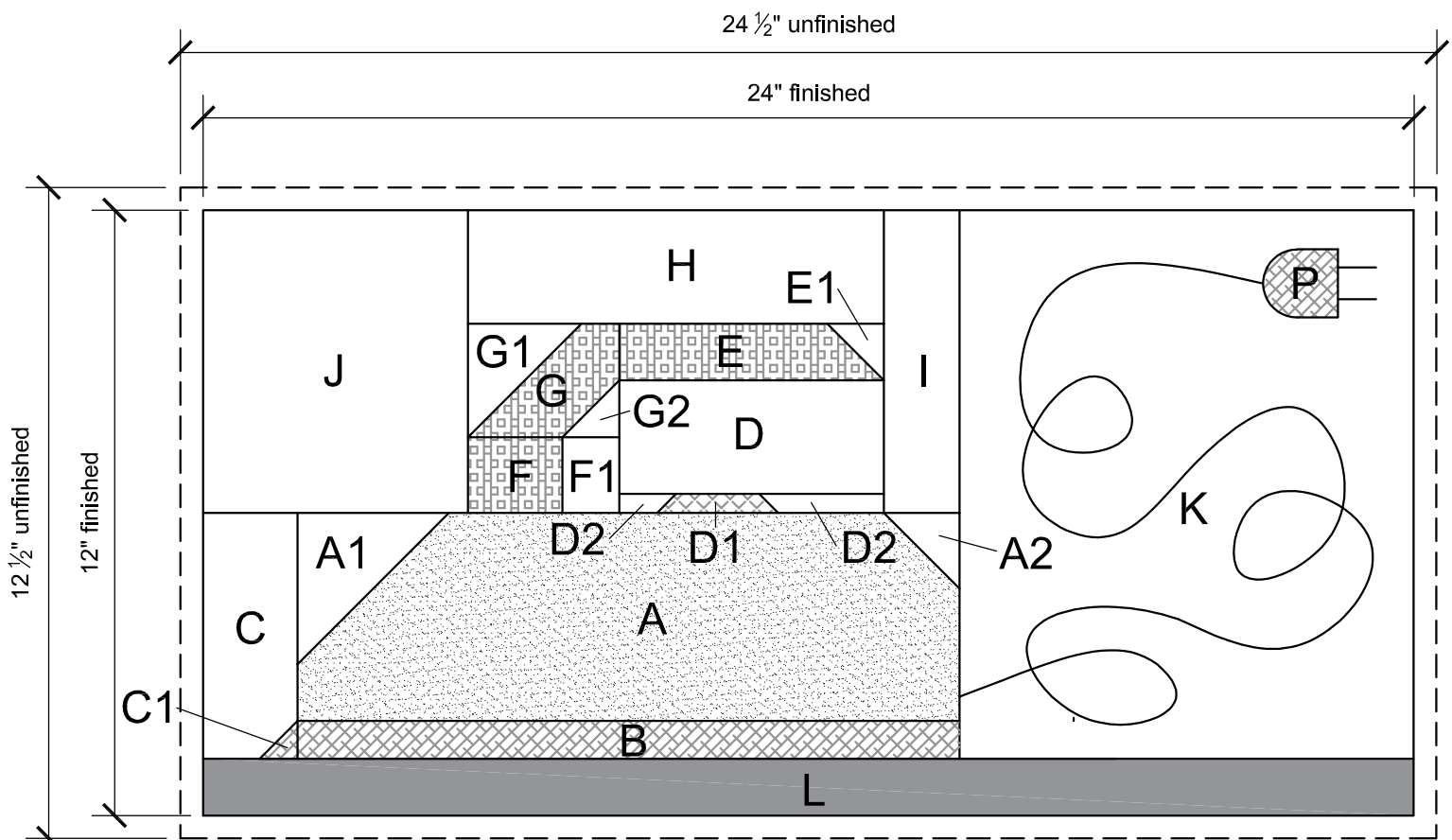
LARGE

Part 1- Iron Block (Pieced)

- Cut:
- A - 13 1/2" x 5"
 - **A1 - 3 1/2" x 3 1/2"
 - **A2 - 2 1/2" x 2 1/2"
 - B - 13 1/2" x 1"
 - C - 2 1/2" x 5 1/2"
 - **C1 - 1" x 1"
 - D - 5 3/4" x 2 3/4"
 - D1 & D2 - 3/4" high x width to make same length as 'C' piece
 - E - 5 3/4" X 1 3/4"
 - **E1 - 1 3/4" x 1 3/4"
 - F - 2 1/2" x 2"
 - F1 - 1 1/2" x 2"
 - G - 3 1/2" x 2 3/4"
 - **G1 - 2 3/4" x 2 3/4"
 - **G2 - 1 1/2" x 1 1/2"
 - H - 8 3/4" x 2 3/4"
 - I - 2" x 6 1/2"
 - J - 5 3/4" x 6 1/2"
 - K - 9 1/2" x 11 1/2"
 - L - 24 1/2" x 1 1/2"
 - P - PLUG APPLIQUE

** draw diagonal line on wrong side of square and lay on corner end of piece and sew on diagonal line.

- Sew pieces together as shown. (Pieces will finish 1/2" less than cut dimension.)
- Applique Plug piece onto background in location of choice. Plug template pattern is on next page.
- Cord and Plug prongs may be hand-stitched or stitched on using couched yarn or rick rick-rack sewn on background. Use your imagination and method of choice!



BOM MYSTERY QUILT 2019-2020

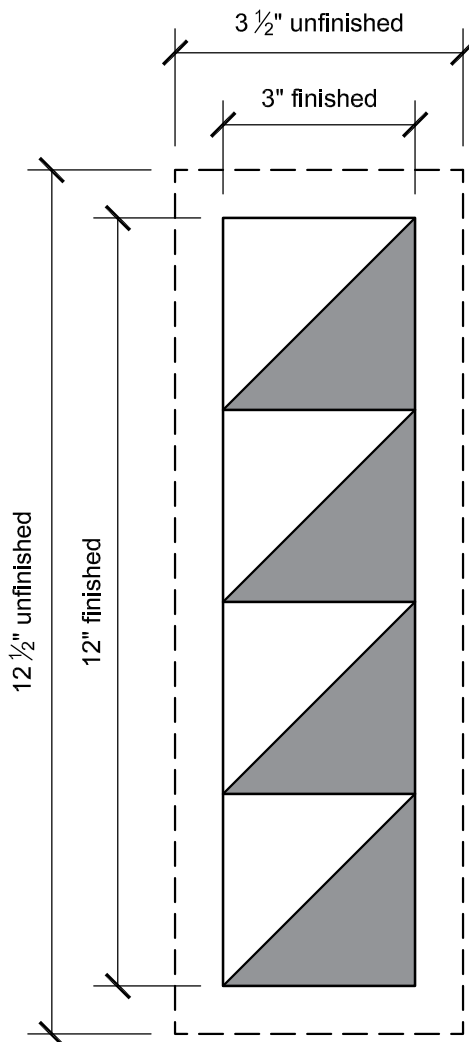
Month #5 - March

LARGE

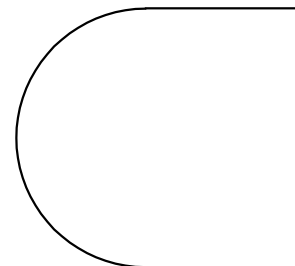
Part 2 - Half-square Triangles

Make (4) half square triangles, each $3\frac{1}{2}$ " x $3\frac{1}{2}$ " unfinished (3" x 3" finished)

Sew (4) half square triangles together as shown.



- Use PLUG template below to cut out appliqué for plug.
- Appliqué plug piece to background using appliqué method of choice. Place plug on background as desired.



**PLUG
Template**