

BOM MYSTERY QUILT 2019-2020

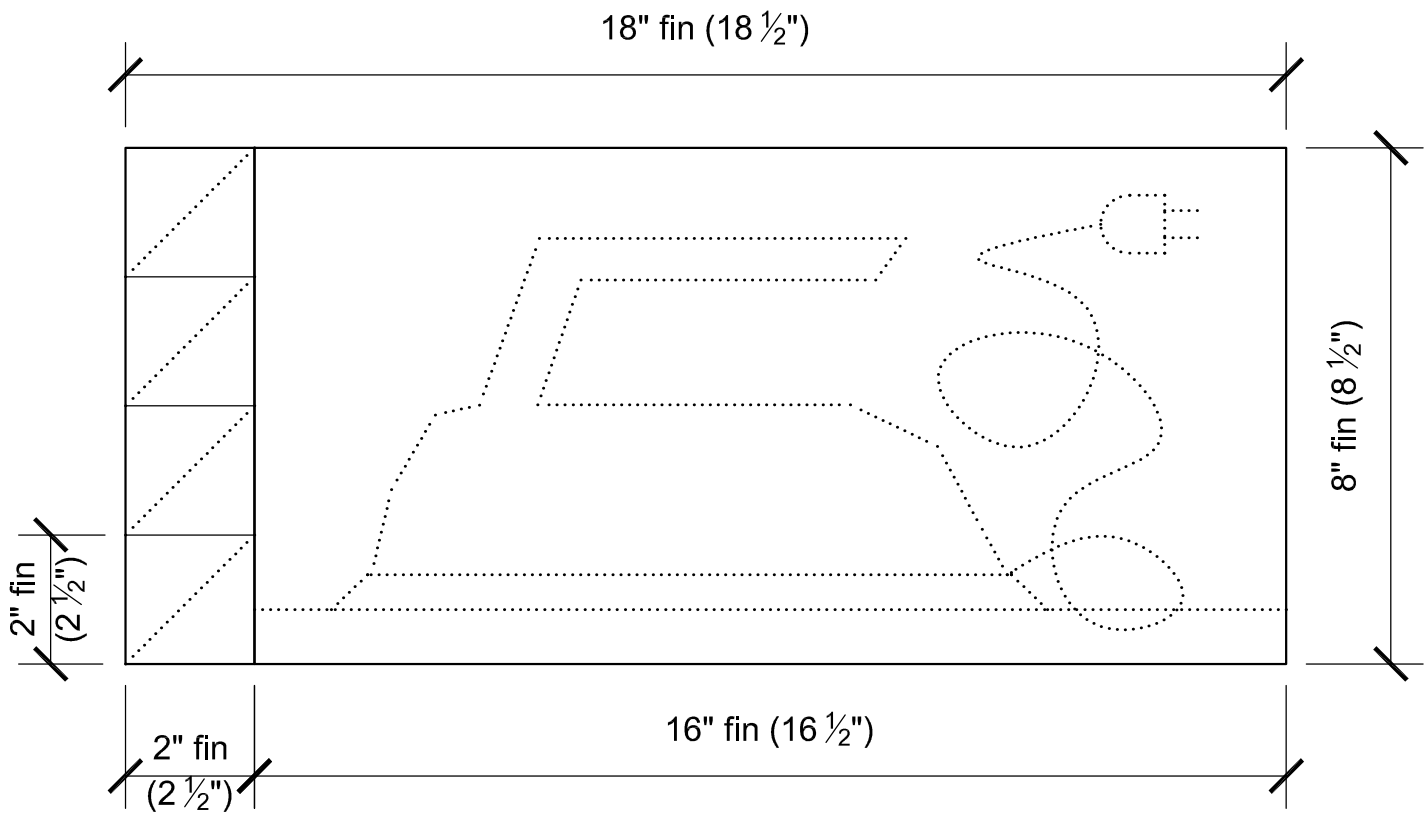
Month #5 - March

SMALL

Part 1 - Iron block - 16" W x 8" H - finished (16 1/2" x 8 1/2" unfinished)

Part 2 - Half square triangles - 2" W x 8" H - finished (2 1/2" x 8 1/2" unfinished)

*Each half square triangle is 2" x 2" finished (2 1/2" x 2 1/2" unfinished)



BOM MYSTERY QUILT 2019-2020

Month #5 - March

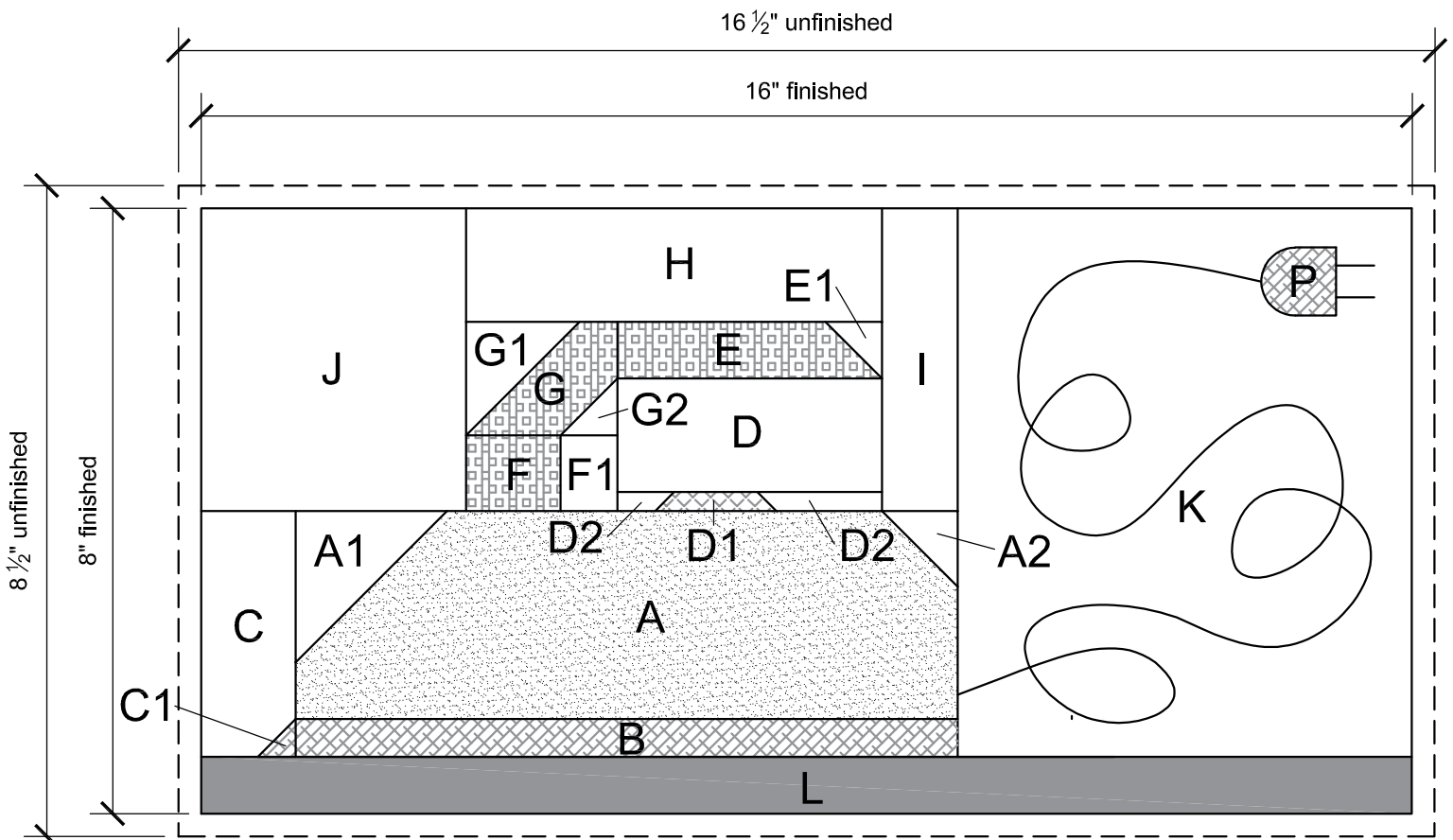
SMALL

Part 1- Iron Block (Pieced)

- Cut:
- | | |
|---|------------------------|
| A - 9 1/4" x 3 1/4" | F - 1 3/4" x 1 1/2" |
| **A1 - 2 1/2" x 2 1/2" | F1 - 1 1/4" x 1 1/2" |
| **A2 - 1 1/2" x 1 1/2" | G - 2 1/2" x 2" |
| B - 9 1/4" x 1" | **G1 - 2" x 2" |
| C - 1 3/4" x 3 3/4" | **G2 - 1 1/4" x 1 1/4" |
| **C1 - 1" x 1" | H - 6" x 2" |
| D - 4" x 2" | I - 1 1/2" x 4 1/2" |
| D1 & D2 - 3/4" high x width to
make same length as 'C' piece | J - 4" x 4 1/2" |
| E - 4" x 1 1/4" | K - 6 1/2" x 7 3/4" |
| **E1 - 1 1/4" x 1 1/4" | L - 16 1/2" x 1 1/4" |
| | P - PLUG APPLIQUE |

** draw diagonal line on wrong side of square and lay on corner end of piece and sew on diagonal line.

- Sew pieces together as shown. (Pieces will finish 1/2" less than cut dimension.)
- Applique Plug piece onto background in location of choice. Plug template pattern is on next page.
- Cord and Plug prongs may be hand-stitched or stitched on using couched yarn or rick rick rack sewn on background. Use your imagination and method of choice!



BOM MYSTERY QUILT 2019-2020

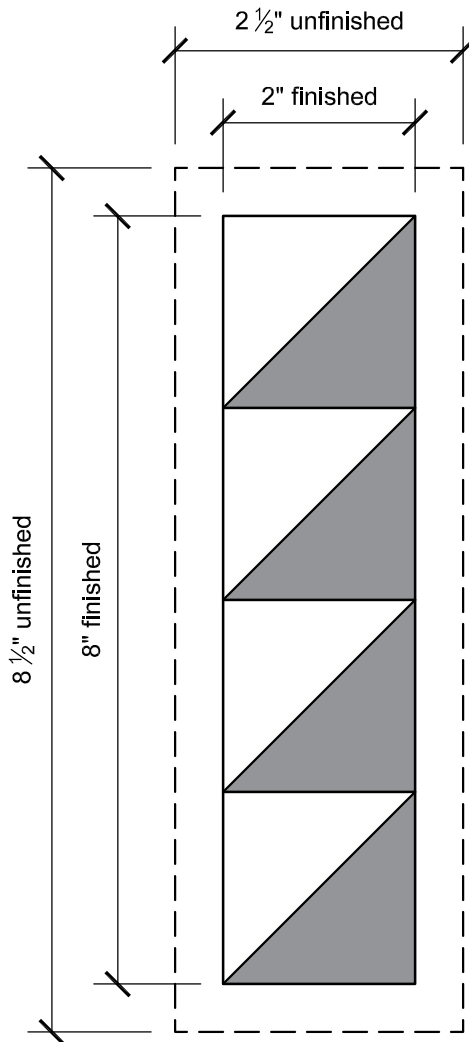
Month #5 - March

SMALL

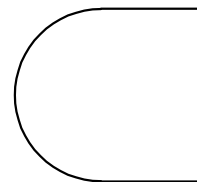
Part 2 - Half-square Triangles

Make (4) half square triangles, each $2\frac{1}{2}$ " x $2\frac{1}{2}$ " unfinished (2" x 2" finished)

Sew (4) half square triangles together as shown.



- Use PLUG template below to cut out appliqué for plug.
- Appliqué plug piece to background using appliqué method of choice. Place plug on background as desired.



**PLUG
Template**