

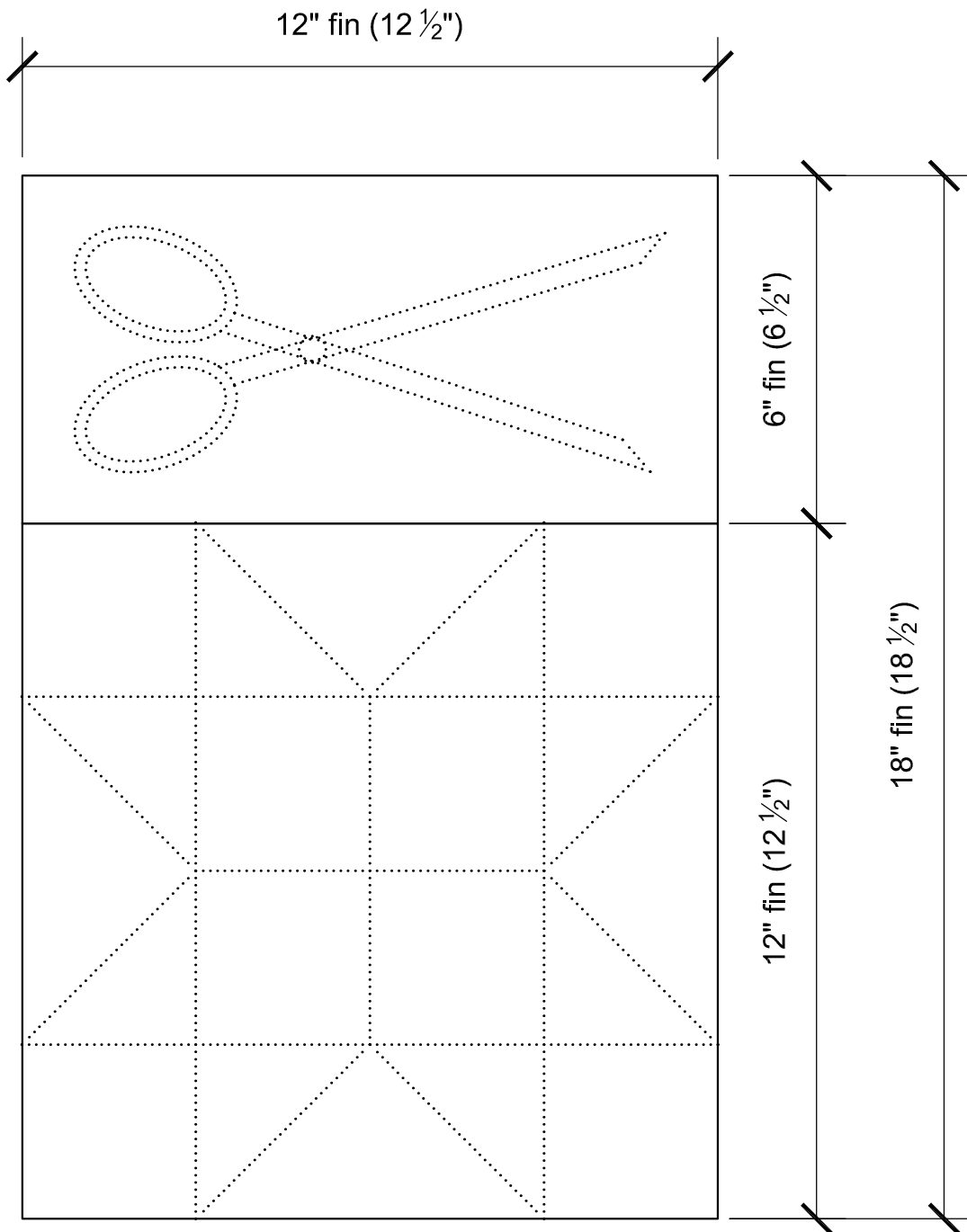
BOM MYSTERY QUILT 2019-2020

Month #7 - May

LARGE

Part 1 - Scissors block - 12" W x 6" H - finished (12 ½" x 6 ½" unfinished)

Part 2 - Star 'B' block - 12" W x 12" H - finished (12 ½" x 12 ½" unfinished)



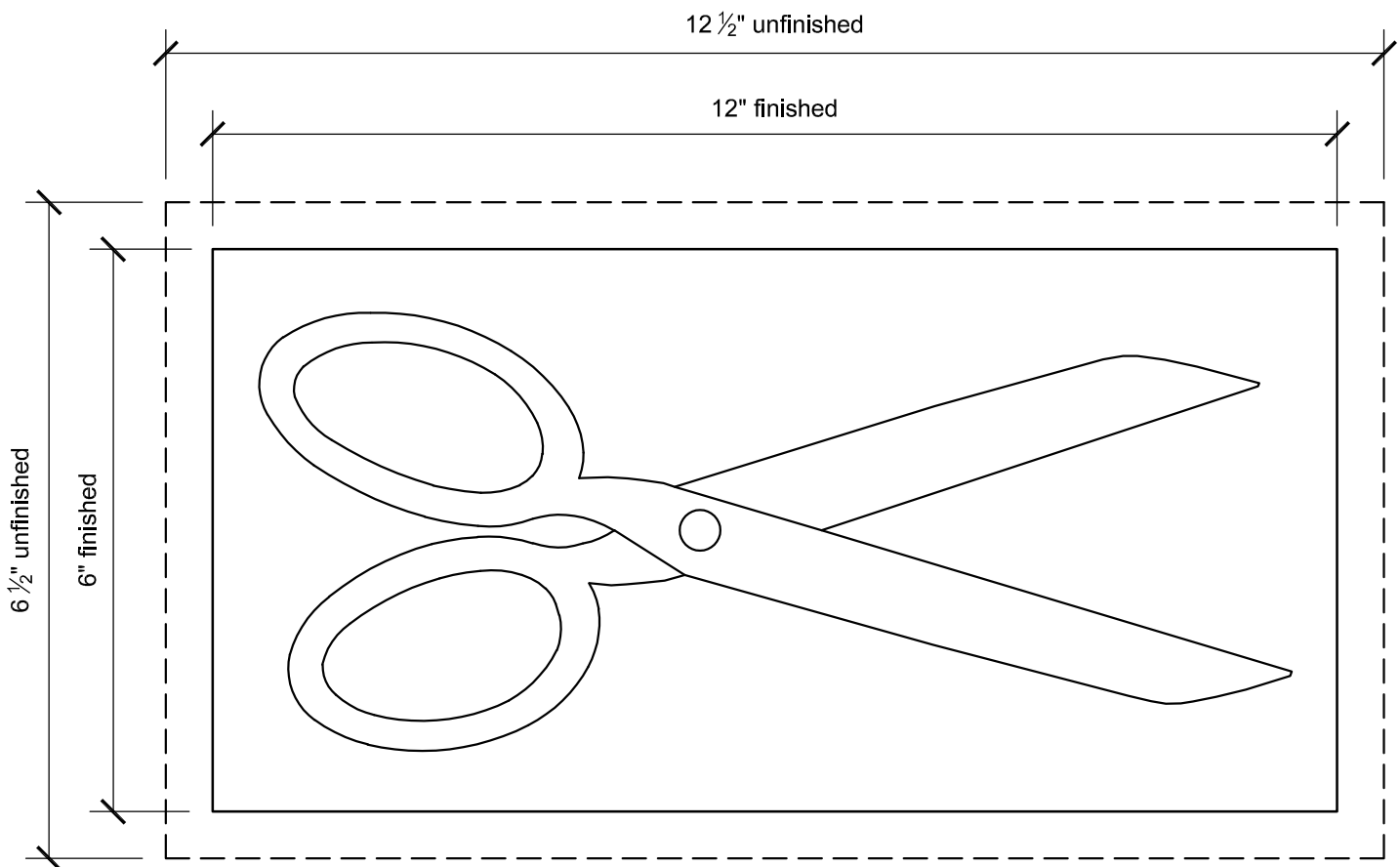
BOM MYSTERY QUILT 2019-2020

Month #7 - May

LARGE

Part 1- Scissors Block (Appliqué)

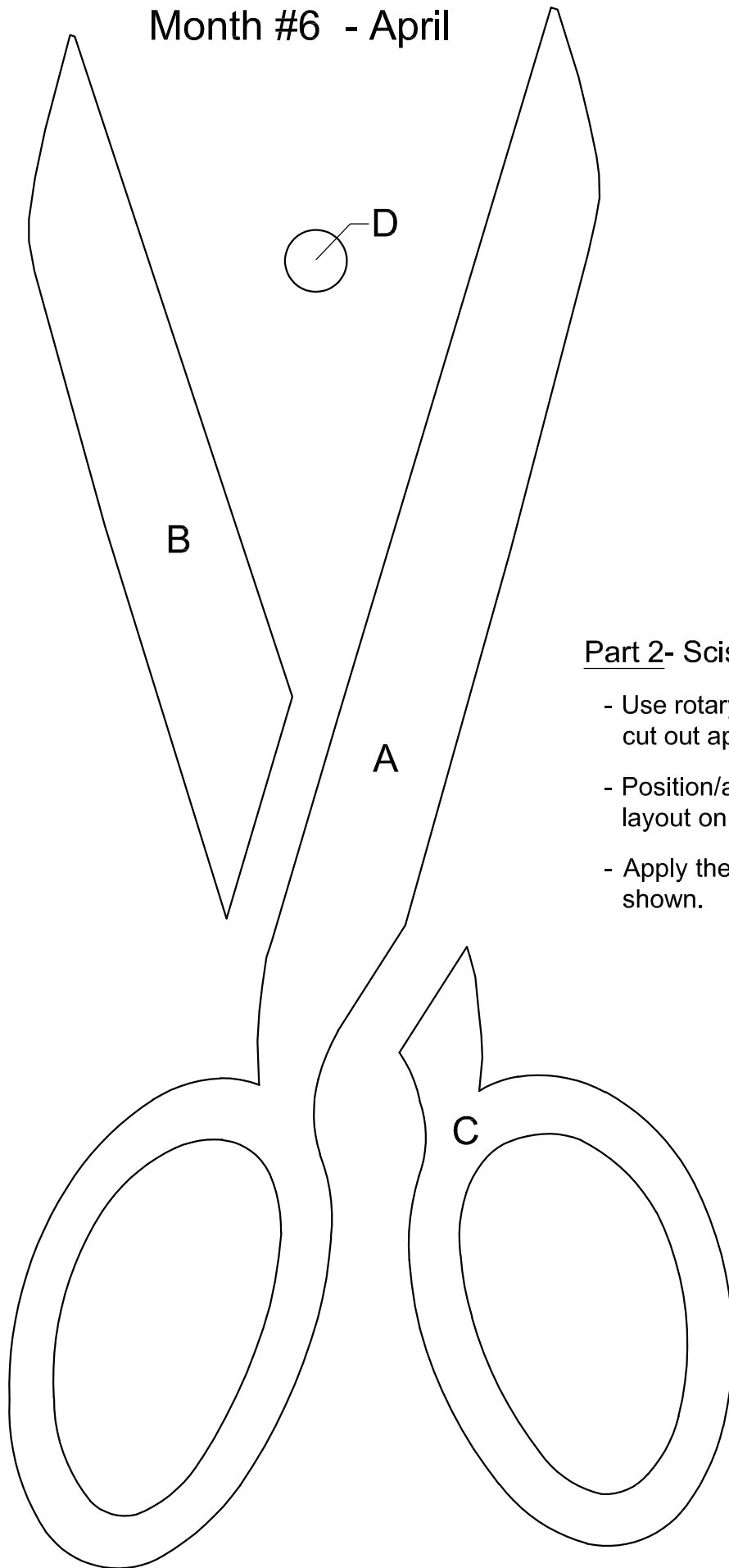
- Cut (1) 12 ½" x 6 ½" square background piece
- Use rotary cutter templates below to cut out appliqué for scissors.
- Appliqué rotary cutter pieces to background as shown using appliqué method of choice.



BOM MYSTERY QUILT 2019-2020

Month #6 - April

LARGE



Part 2- Scissors Block (Appliqué)

- Use rotary cutter templates at left to cut out appliqué for scissors.
- Position/apply pieces according to the layout on the previous page.
- Apply the circle piece on top where shown.

BOM MYSTERY QUILT 2019-2020

Month #7 - May

LARGE

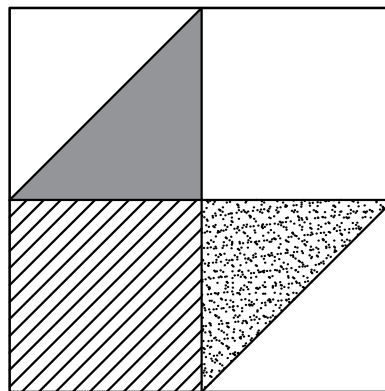
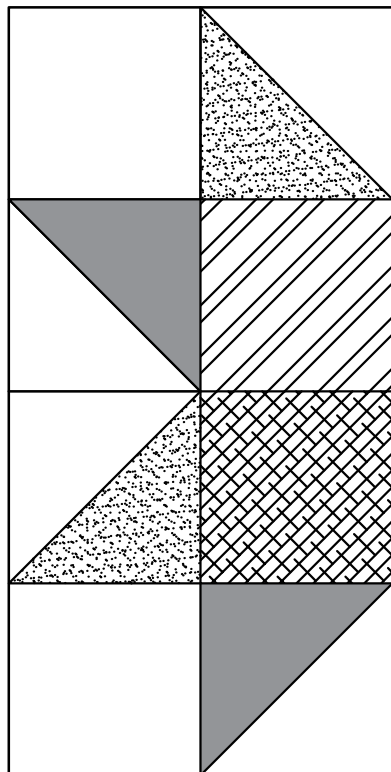
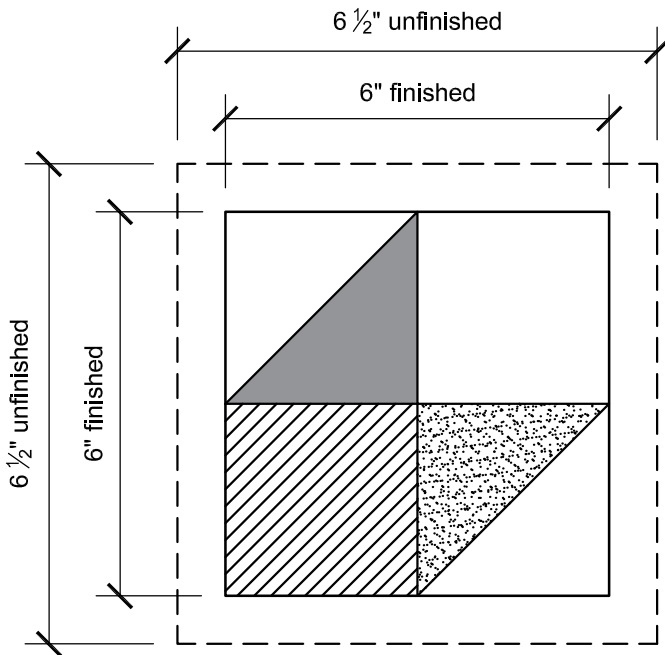
Part 2- Star Block 'B'

To make (1) unit:

- Cut (2) $3\frac{1}{2}$ " x $3\frac{1}{2}$ " squares
- make (2) half square triangles, each $3\frac{1}{2}$ " x $3\frac{1}{2}$ " unfinished

Sew (2) half square triangles and (2) squares together as shown.

Make (4) units total.



Sew (4) units together as shown.

Block will be
 $12\frac{1}{2}$ " x $12\frac{1}{2}$ " unfinished
(12" x 12" finished)

