

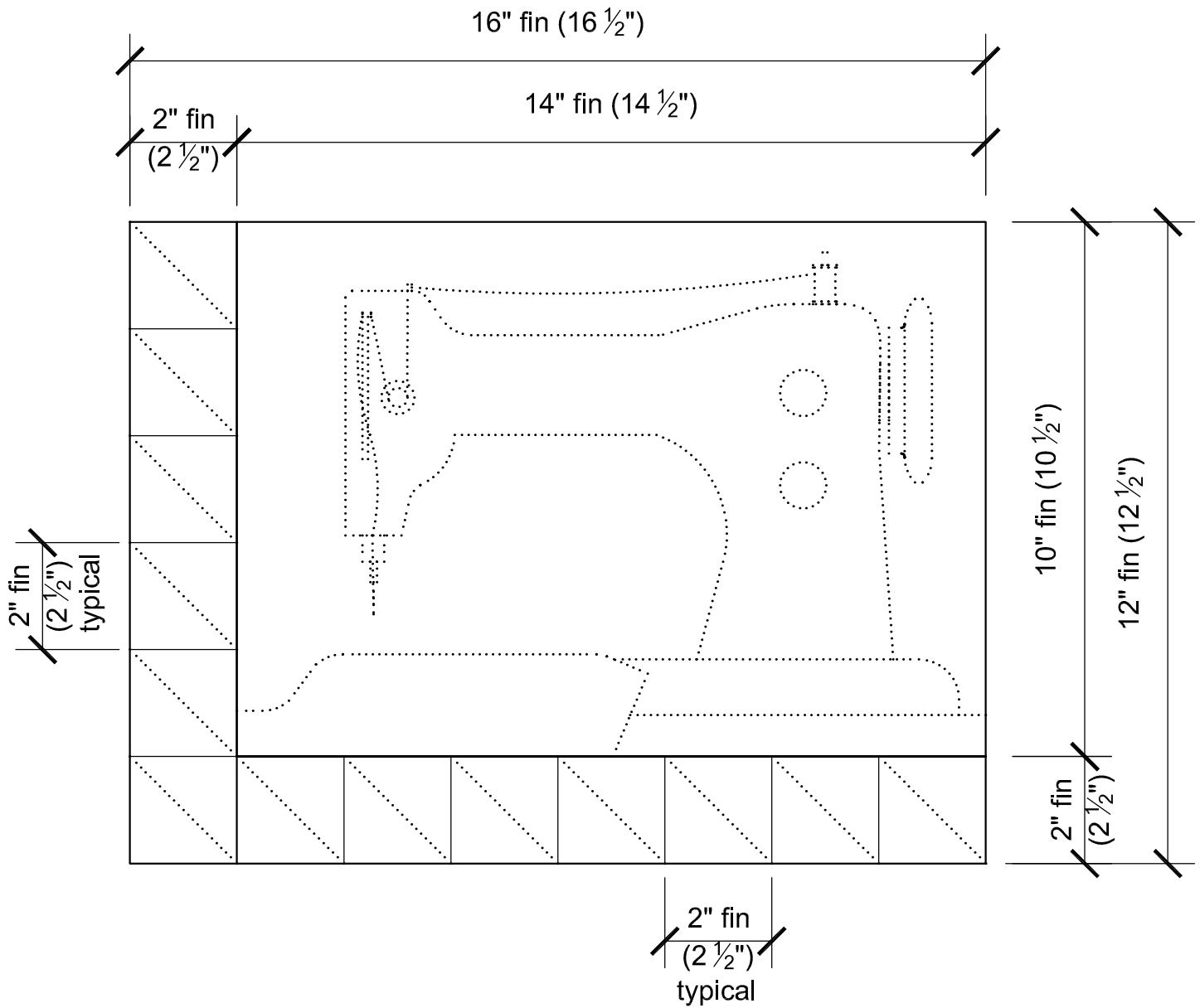
BOM MYSTERY QUILT 2019-2020

Month #8 - June

SMALL

Part 1 - Sewing Machine block - 14" W x 10" H - finished (14 1/2" x 10 1/2" unfinished)

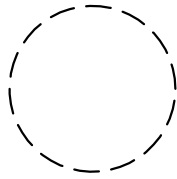
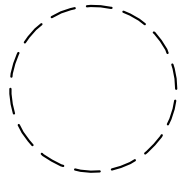
Part 2 - Half square triangles - Each half square triangle is 2" x 2" finished (2 1/2" x 2 1/2" unfinished)



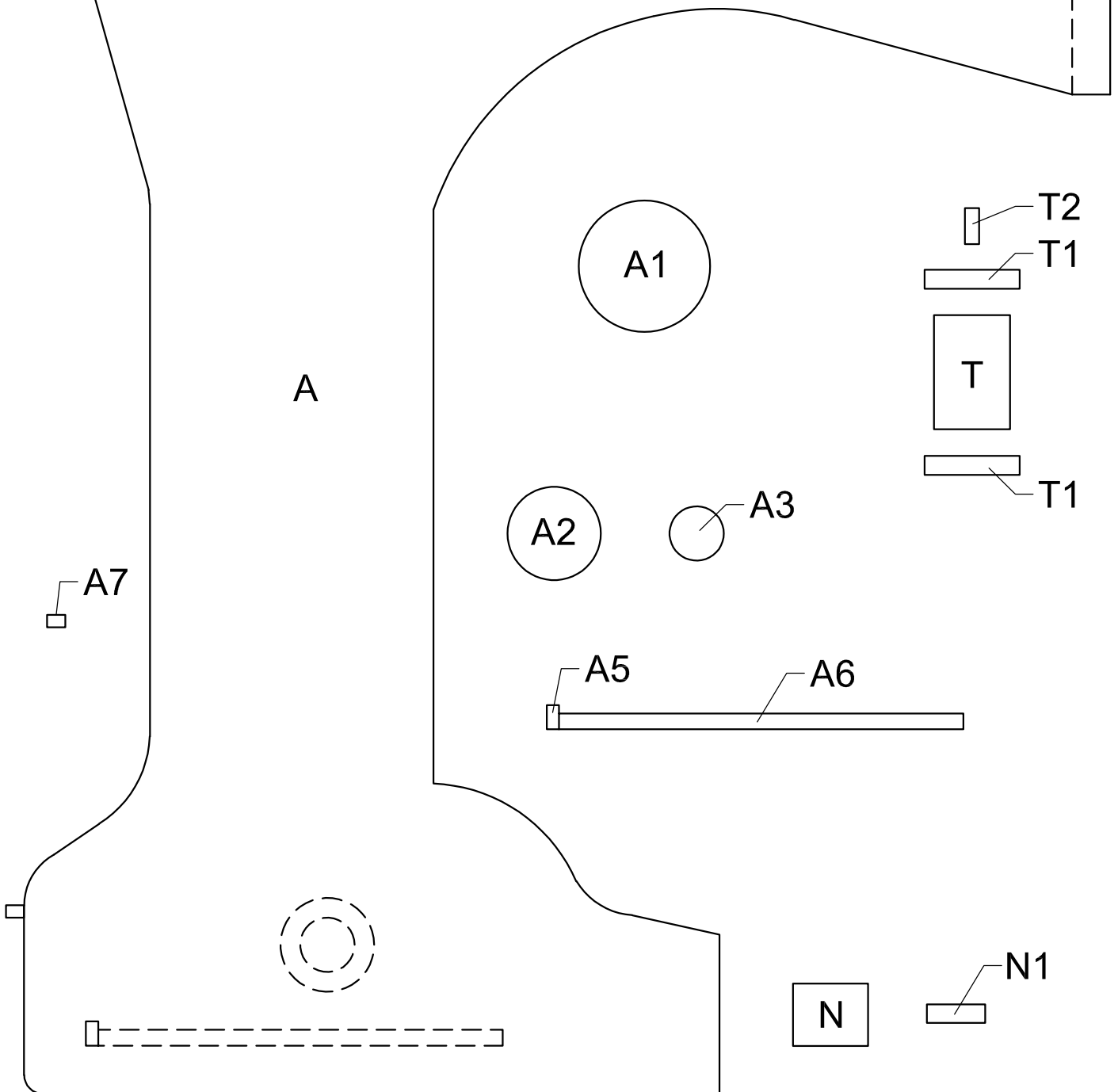
BOM MYSTERY QUILT 2019-2020

Month #8 - June

SMALL



Part 1- Sewing Machine Block (Appliqué)

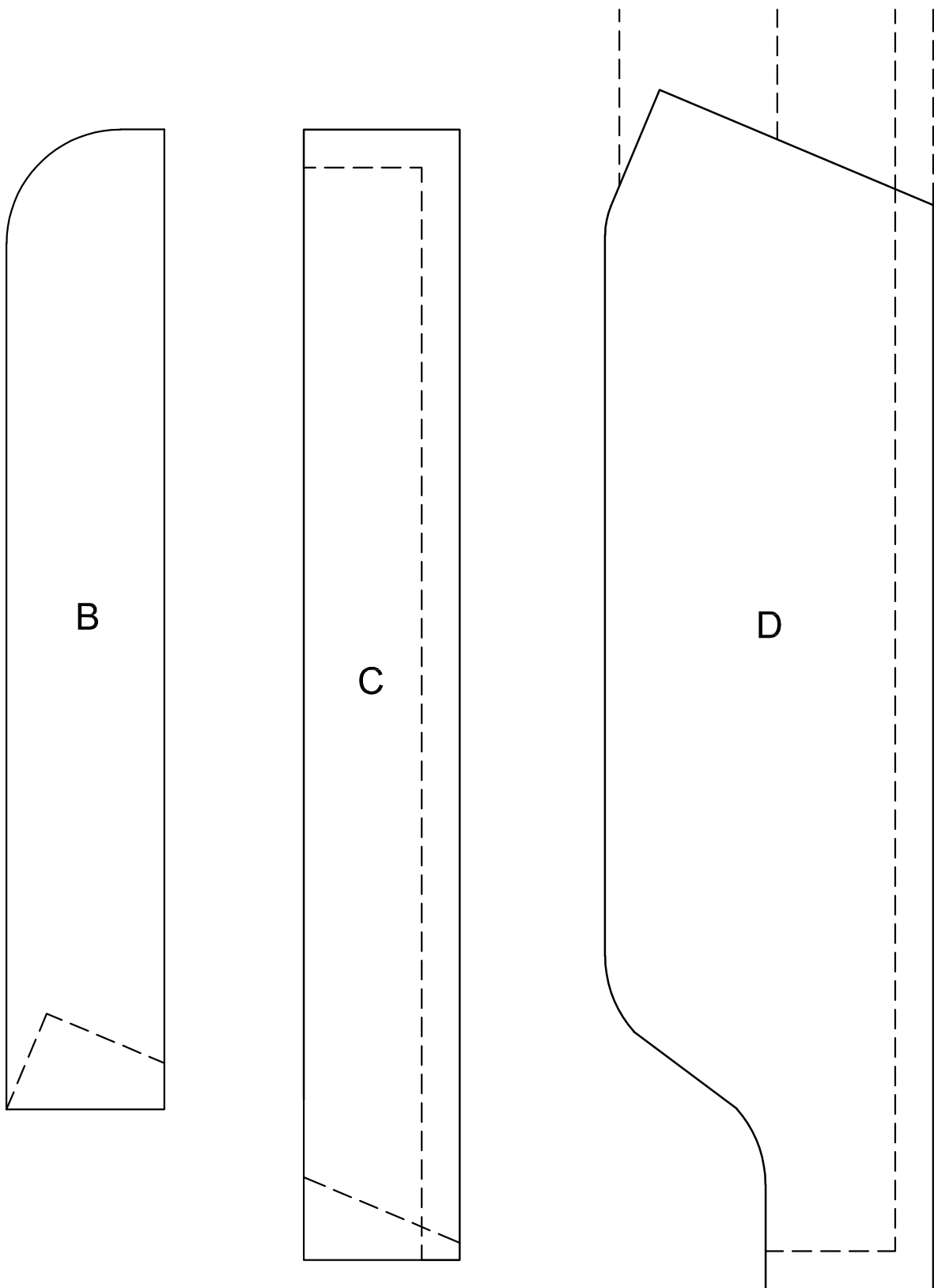


BOM MYSTERY QUILT 2019-2020

Month #8 - June

SMALL

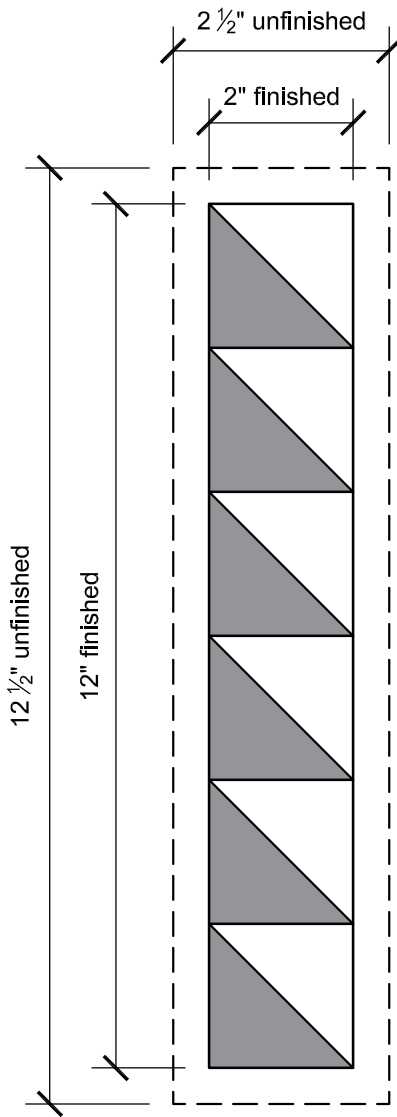
Part 1- Sewing Machine Block (Appliqué)



BOM MYSTERY QUILT 2019-2020

Month #3 - January

SMALL



Part 2 - Half-square Triangles

Make (13) half square triangles, each $2\frac{1}{2}$ " x $2\frac{1}{2}$ " unfinished (2 " x 2 " finished)

Sew (13) half square triangles together as shown, then sew to Sewing Machine block as shown.

