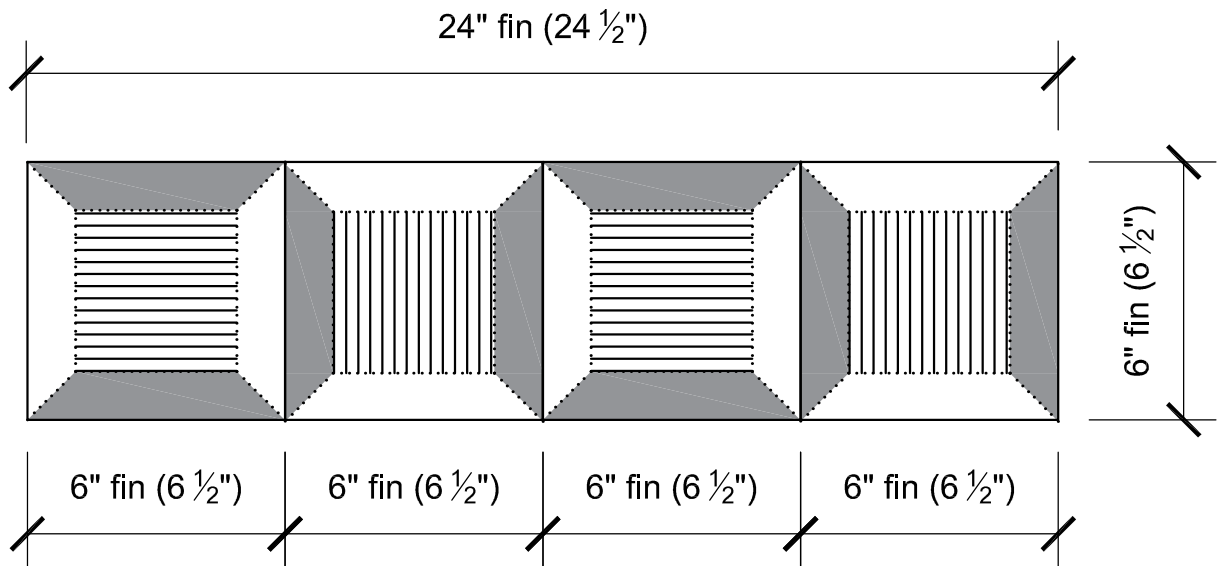


BOM MYSTERY QUILT 2019-2020

Month #9 - July

LARGE

Part 1 - Spool block - 6" W x 6" H - finished (6 1/2" x 6 1/2" unfinished)



BOM MYSTERY QUILT 2019-2020

Month #9 - July

LARGE

Part 1- Spool Block (Pieced)

Cut: A - (1) $4\frac{1}{2}$ " x $4\frac{1}{2}$ "

B - (2) $6\frac{1}{2}$ " x $1\frac{1}{2}$ "

B1 - (4) $1\frac{1}{2}$ " x $1\frac{1}{2}$ ", draw diagonal line on wrong side of (B1) square and lay on each end of piece B and sew on diagonal line.

C - (2) $1\frac{1}{2}$ " x $4\frac{1}{2}$ "

Sew pieces together as shown. (Pieces will finish $\frac{1}{2}$ " less than cut dimension.)

Then sew (4) Spool blocks together as shown on the first page.

