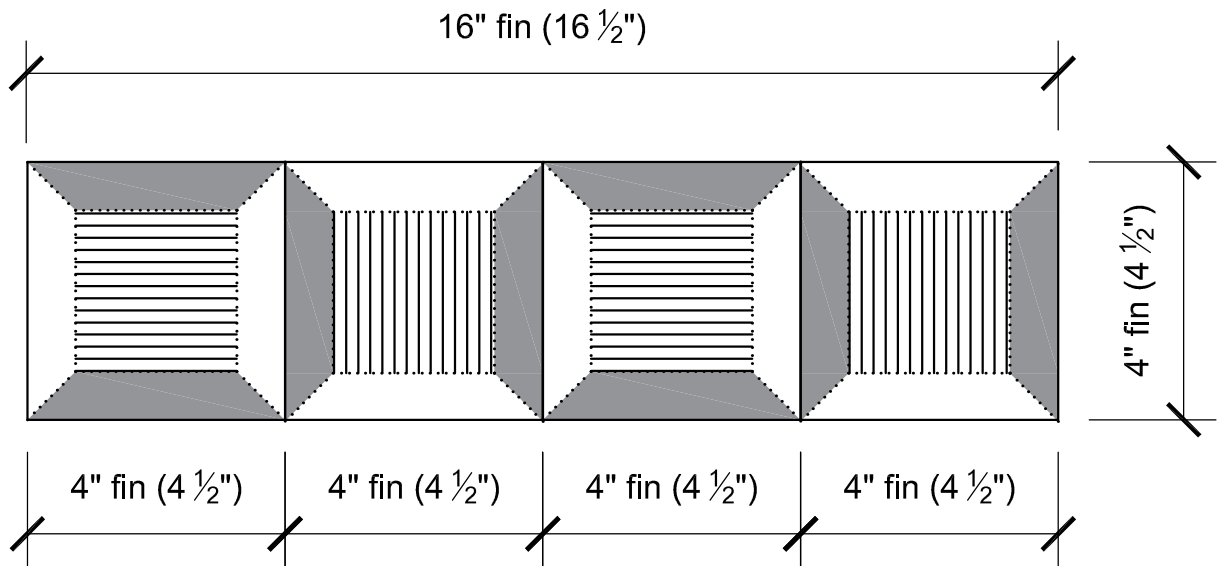


# BOM MYSTERY QUILT 2019-2020

Month #9 - July

SMALL

Part 1 - Spool block - 4" W x 4" H - finished (4 1/2" x 4 1/2" unfinished)



# BOM MYSTERY QUILT 2019-2020

Month #9 - July

SMALL

## Part 1- Spool Block (Pieced)

Cut: A - (1) 3" x 3"

B - (2) 4 ½" x 1 ¼"

B1 - (4) 1 ¼" x 1 ¼", draw diagonal line on wrong side of (B1) square and lay on each end of piece B and sew on diagonal line.

C - (2) 1 ¼" x 3"

Sew pieces together as shown. (Pieces will finish ½" less than cut dimension.)

Then sew (4) Spool blocks together as shown on the first page.

